

Pendant Fixtures with Support Cables (CFL)

295TD3S_CF 1.0



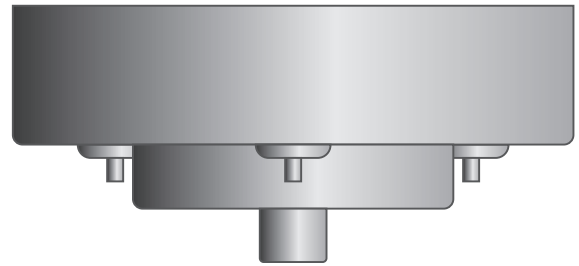
ENCOMPASS LIGHTING GROUP
PENDANTS

GENERAL PRODUCT INFORMATION:

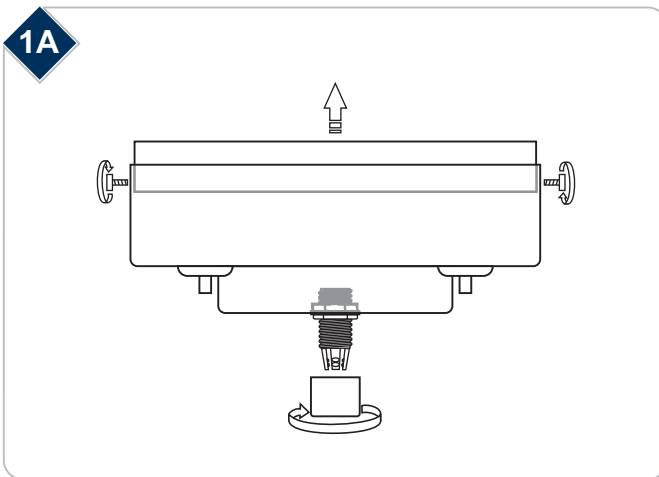
This product is suitable for damp locations.



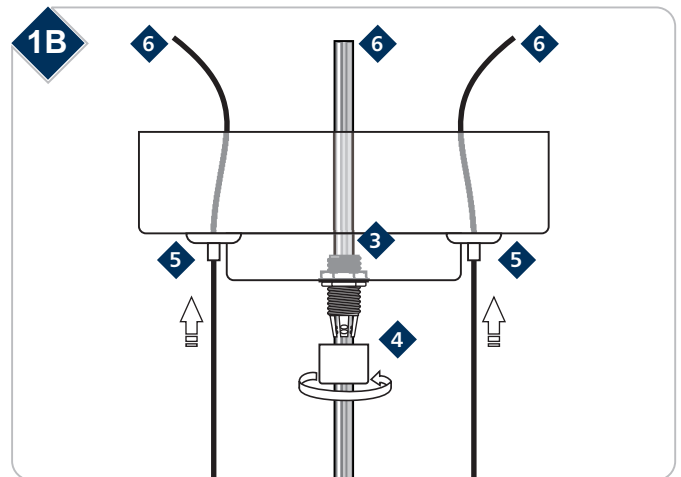
This product can mount to either a 4" square electrical box with round plaster ring or an octagon electrical box.



Shorten the Pendant

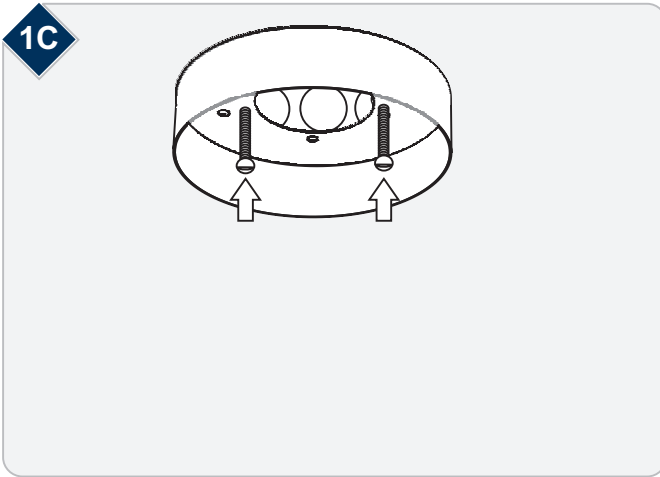


- 1 Remove the side screws and pull out the backplate.
- 2 Unscrew the cap.

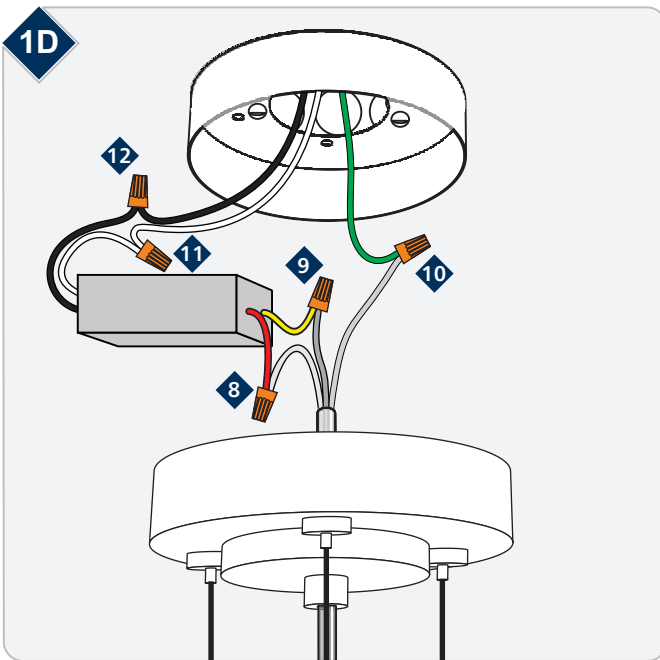


NOTE: Install the fixture shade to the pendant (if applicable) before proceeding.

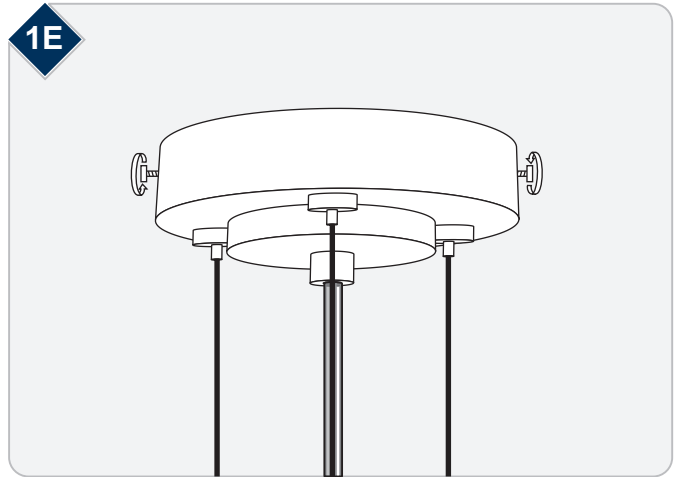
- 3 Feed the cord through the cap and into the canopy until it is at the desired length.
- 4 Screw the cap back on.
- 5 Feed the 3 support cables through the cable grips.
- 6 Cut off excess cord and cables, but leave a few inches of each behind the canopy for final adjustments.



7 Screw the backplate to the electrical box.

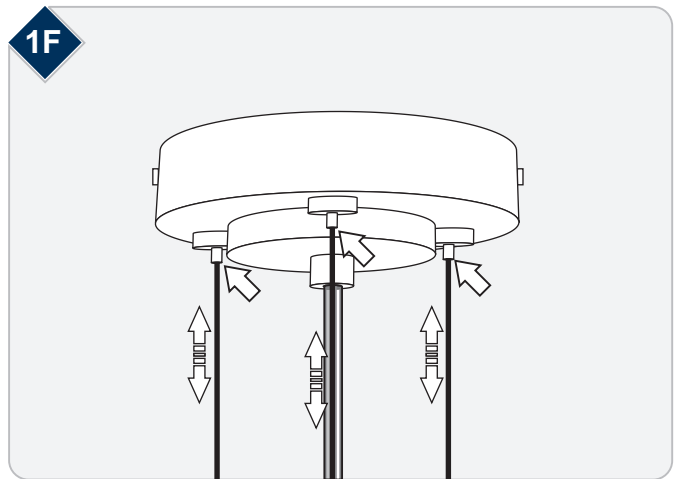


- 8** Connect the red ballast wire to one of the insulated pendant wires.
- 9** Connect the yellow ballast wire to the other insulated pendant wire.
- 10** Connect the uninsulated pendant wire to a suitable ground in accordance with local electrical codes.
- 11** Connect the white wire to the neutral power line wire.
- 12** Connect the black wire to the hot power line wire.



13 Place the ballast and all wires inside the canopy.

14 Attach the canopy to the backplate on the ceiling using the screws removed in step 1.



15 You can fine-tune how the pendant hangs by feeding the support cables in and out of the canopy. To lift a cable, simply feed it into the cable grip. To lower a cable, push in on the cable grip nipple and pull the cable out.

SAVE THESE INSTRUCTIONS!



ENCOMPASS LIGHTING GROUP

7400 Linder Ave, Skokie, IL 60077

847.410.4400

www.encompasslighting.com

© 2008 Encompass Lighting Group. All rights reserved. The "Encompass Lighting Group" graphic is a registered trademark of Encompass Lighting Group. Encompass Lighting Group reserves the right to change specifications for product improvements without notification.

A Generation Brands Company