

# Swag Hook

700TDSWAG\_

1.7



## PENDANTS

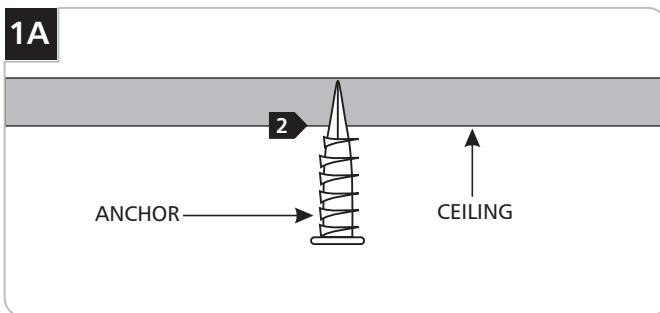
### GENERAL PRODUCT INFORMATION:



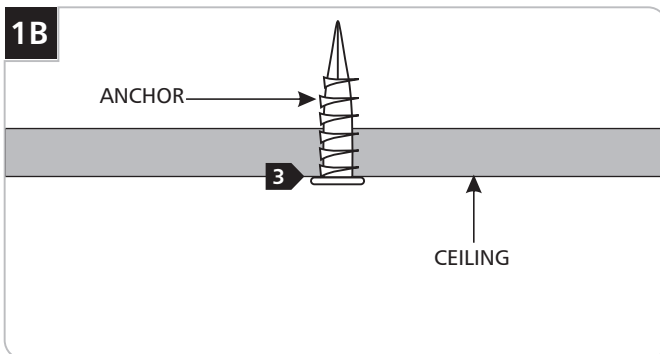
This product must be used with Pendant fixtures only.



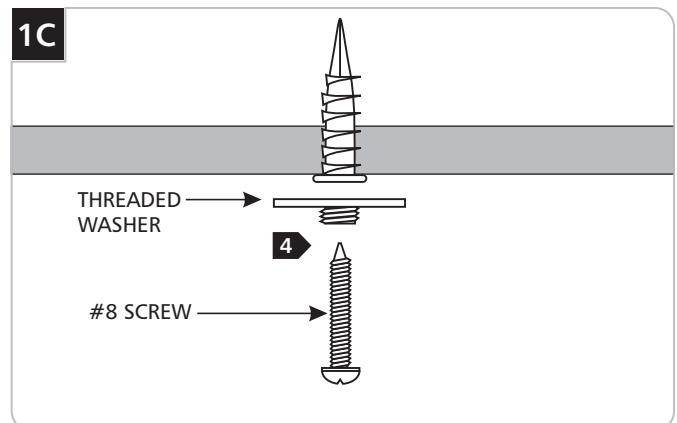
## Mount the Swag Hook



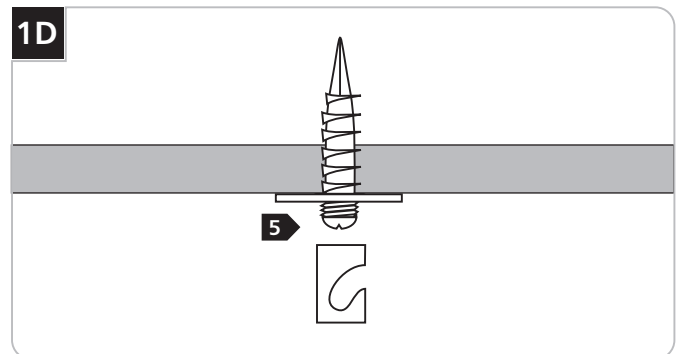
- 1** Mark a point on the ceiling near the pendant fixture where the swag hook is to be mounted.
- 2** Tap the anchor at the marked point into the ceiling up to the threaded portion with a hammer.



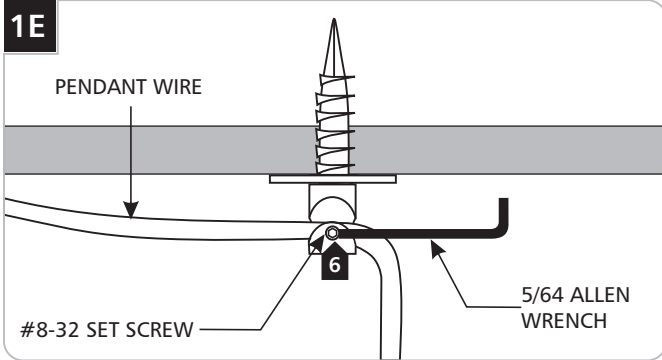
- 3** Screw the anchor in the rest of the way with a Phillips screwdriver.



- 4** Mount the threaded washer to the anchor with the #8 screw.



- 5** Screw the swag hook to the threaded washer.



- 6 Hook the fixture pendant wire into the swag hook and tighten the #8-32 set screw snugly with 5/64 Allen wrench provided.

**SAVE THESE INSTRUCTIONS!**



7400 Linder Ave, Skokie, IL 60077  
847.410.4400

[www.2thousanddegrees.com](http://www.2thousanddegrees.com)

© 2008 Tech Lighting, L.L.C. All rights reserved. The "2thousand degrees" graphic is a registered trademark of 2thousand degrees. 2thousand degrees reserves the right to change specifications for product improvements without notification.  
A Generation Brands Company